

# FLAMEPROOF ENCLOSURES

## GUB.. Series - Copper free aluminium or Stainless steel AISI 316 L



GUB.. series enclosures offers Ex d IIC mode of protection, can be equipped with following components:

- Push buttons and mechanical operators PL.. Series;
- Rotating switches PSRC Series;
- Signalling lamps PL.. Series;
- Potentiometers;
- Rotating handles SRC-1 or SRC-10;
- Measurement instruments;
- Electric and electronic equipment;

### MARKING

#### Full conformity certificate

II 2G Ex db IIC T6/T5/T4 or  
 II 2G Ex db ia/ib IIC T6/T5/T4 Gb and/or  
 II 2D Ex tb IIIC T85°C/ T100°C/T135°C Db  
 II 2D Ex tb ia/ib IIIC T85°C/ T100°C/T135°C Db

#### Component Certificate

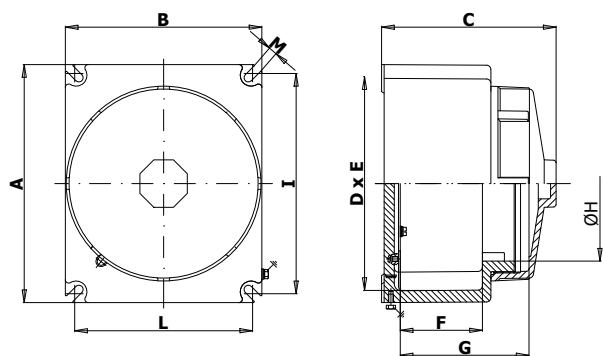
II 2G Ex db IIC Gb and/or  
 II 2D Ex tb IIIC Db IP66 or  
 I M2 Ex db I Mb

## TECHNICAL FEATURES

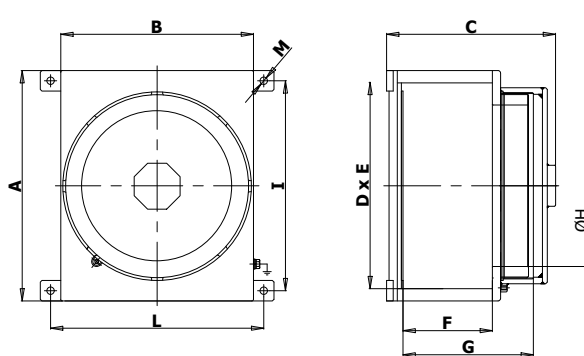
<b>Material</b>	Copper-free aluminium Stainless steel AISI 316 L (different sizes than the standard indicated)																
<b>IP rating</b>	IP66																
<b>Ambient temperature range</b>	-60°C to +80°C																
<b>Approvals</b>	<table border="0"> <tr> <td>INERIS 22 ATEX 0008X</td> <td>INERIS 22 ATEX 9002U</td> </tr> <tr> <td>IECEX INE 22.0012X</td> <td>IECEX INE 22.0010U</td> </tr> <tr> <td>EAC: RU C-IT.BH02.B.00588/20</td> <td>EAC: RU C-IT.BH02.B.00588/20</td> </tr> <tr> <td>ECAS available</td> <td></td> </tr> </table>	INERIS 22 ATEX 0008X	INERIS 22 ATEX 9002U	IECEX INE 22.0012X	IECEX INE 22.0010U	EAC: RU C-IT.BH02.B.00588/20	EAC: RU C-IT.BH02.B.00588/20	ECAS available									
INERIS 22 ATEX 0008X	INERIS 22 ATEX 9002U																
IECEX INE 22.0012X	IECEX INE 22.0010U																
EAC: RU C-IT.BH02.B.00588/20	EAC: RU C-IT.BH02.B.00588/20																
ECAS available																	
<b>Other Marking</b>	<table border="0"> <tr> <td>II 2(1) G Ex db [ia Ga] IIC T6 Gb and/or</td> <td><u>Only for AISI 316L</u></td> </tr> <tr> <td>II 2(2) G Ex db [ib] IIC T6 Gb and/or</td> <td>I M2 Ex db I Mb</td> </tr> <tr> <td>II 2(1) G Ex db ia/ib [ia Ga] IIC T6 Gb and/or</td> <td>I M2 Ex db ia/ib I Mb</td> </tr> <tr> <td>2(2) G Ex db ia/ib [ib] IIC T6 Gb and/or</td> <td>I M2(M1) Ex db [ia Ma] I Mb</td> </tr> <tr> <td>II 2(1) D Ex tb [ia Da] IIIC T85°C Db</td> <td>I M2(M2) Ex db [ib] I Mb</td> </tr> <tr> <td>II 2(2) D Ex tb [ib] IIIC T85°C Db</td> <td>I M2(M1) Ex db ia/ib [ia Ma] I Mb</td> </tr> <tr> <td>II 2(1) D Ex tb ia/ib [ia Da] IIIC T85°C Db</td> <td>I M2(M2) Ex db ia/ib [ib] I Mb</td> </tr> <tr> <td>II 2(2) D Ex tb ia/ib [ib] IIIC T85°C Db</td> <td></td> </tr> </table>	II 2(1) G Ex db [ia Ga] IIC T6 Gb and/or	<u>Only for AISI 316L</u>	II 2(2) G Ex db [ib] IIC T6 Gb and/or	I M2 Ex db I Mb	II 2(1) G Ex db ia/ib [ia Ga] IIC T6 Gb and/or	I M2 Ex db ia/ib I Mb	2(2) G Ex db ia/ib [ib] IIC T6 Gb and/or	I M2(M1) Ex db [ia Ma] I Mb	II 2(1) D Ex tb [ia Da] IIIC T85°C Db	I M2(M2) Ex db [ib] I Mb	II 2(2) D Ex tb [ib] IIIC T85°C Db	I M2(M1) Ex db ia/ib [ia Ma] I Mb	II 2(1) D Ex tb ia/ib [ia Da] IIIC T85°C Db	I M2(M2) Ex db ia/ib [ib] I Mb	II 2(2) D Ex tb ia/ib [ib] IIIC T85°C Db	
II 2(1) G Ex db [ia Ga] IIC T6 Gb and/or	<u>Only for AISI 316L</u>																
II 2(2) G Ex db [ib] IIC T6 Gb and/or	I M2 Ex db I Mb																
II 2(1) G Ex db ia/ib [ia Ga] IIC T6 Gb and/or	I M2 Ex db ia/ib I Mb																
2(2) G Ex db ia/ib [ib] IIC T6 Gb and/or	I M2(M1) Ex db [ia Ma] I Mb																
II 2(1) D Ex tb [ia Da] IIIC T85°C Db	I M2(M2) Ex db [ib] I Mb																
II 2(2) D Ex tb [ib] IIIC T85°C Db	I M2(M1) Ex db ia/ib [ia Ma] I Mb																
II 2(1) D Ex tb ia/ib [ia Da] IIIC T85°C Db	I M2(M2) Ex db ia/ib [ib] I Mb																
II 2(2) D Ex tb ia/ib [ib] IIIC T85°C Db																	
<b>Surface treatment</b>	<p>Painted by polyurethane painting: Blue RAL5014 ( other colours on request) painting cycle C4 suitable for On-Shore</p> <p>External environment: Industrial areas and coastal areas with moderate salinity</p> <p>Internal environment: Chemical plants, swimming pools, coastal plants and shipyards</p> <p>The Reference standard is UNI EN ISO 12944-1:2018</p>																
<b>Entries</b>	Metric pitch 1.5, ANSI B1.20.1 NPT																
<b>Standard certificate label</b>	Made by self adhesive UV and corrosion resistant polyester, approved by certified Laboratory.																
<b>Included accessories</b>	Internal mounting plate, AISI316L stainless steel external screws																
<b>Optional accessories</b>	<p>Drain/breather valve</p> <p>Internal anticondensate painting</p> <p>Laminated plastic/Stainless steel certificate label</p>																

## Dimensions GUB.

### Copper-free aluminium



### Stainless steel



### GUB Series - Copper-free aluminium

CODE	TYPE	DIMENSIONS [mm]											WEIGHT [Kg]	MOUNTING PLATES Ø [MM]
		A	B	C	D	E	F	G	ØH	FIXING		M		
										I	L			
B011024010029	GUB-01	169	169	152	139	139	64	115	126	150	150	8	3.60	120
B011024010030	GUB-02	190	190	164	160	160	65	125	144	170	170	8	4.70	140
B011024010031	GUB-03	210	210	179	180	180	80	139	167	179	179	8	6.00	160
B011024010032	GUB-04	281	232	206	202	291	99	160	183	260	210	10	8.90	174
B011024010033	GUB-05	298	257	222	227	268	108	178	206	275	235	8	11.90	200
B011024010034	GUB-06	329	293	248	259	295	141	211	242	270	305	10,5	15.80	235
B011024010035	GUB-07	545	545	376	490	490	195	229	457	475	475	14,5	81.5	440

### GUB Series - Stainless steel

CODE	TYPE	DIMENSIONS [mm]											WEIGHT [Kg]	MOUNTING PLATES Ø [MM]
		A	B	C	D	E	F	G	ØH	FIXING		M		
										I	L			
B011023010002	GUB-01	170	170	135	154	154	68	112	124,5	145	195	9	9.5	120
B011023010004	GUB-02	191	191	149	70	163	163	120	144	166	216	9	12.5	140
B011023010006	GUB-03	210	210	157	190	190	80	129	173	185	235	9	16.5	160
B011023010008	GUB-04	232	281	183	212	262	101	155	18	256	257	9	23.5	174
B011023010010	GUB-05	258	298	196	238	278	110	166	216	273	283	9	30	200
B011023010012	GUB-06	295	330	240	310	275	151	210	257	305	320	9	40.5	235
B011023010013	GUB-07	545	545	341	515	515	205	290	443	595	495	16	169	440

For complete junction boxes, ask to the Sales Dept.

Note: For installations in either Zone 1 or in the presence of Group IIC gases, barrier glands are required. Please refer to EN-60079-14.